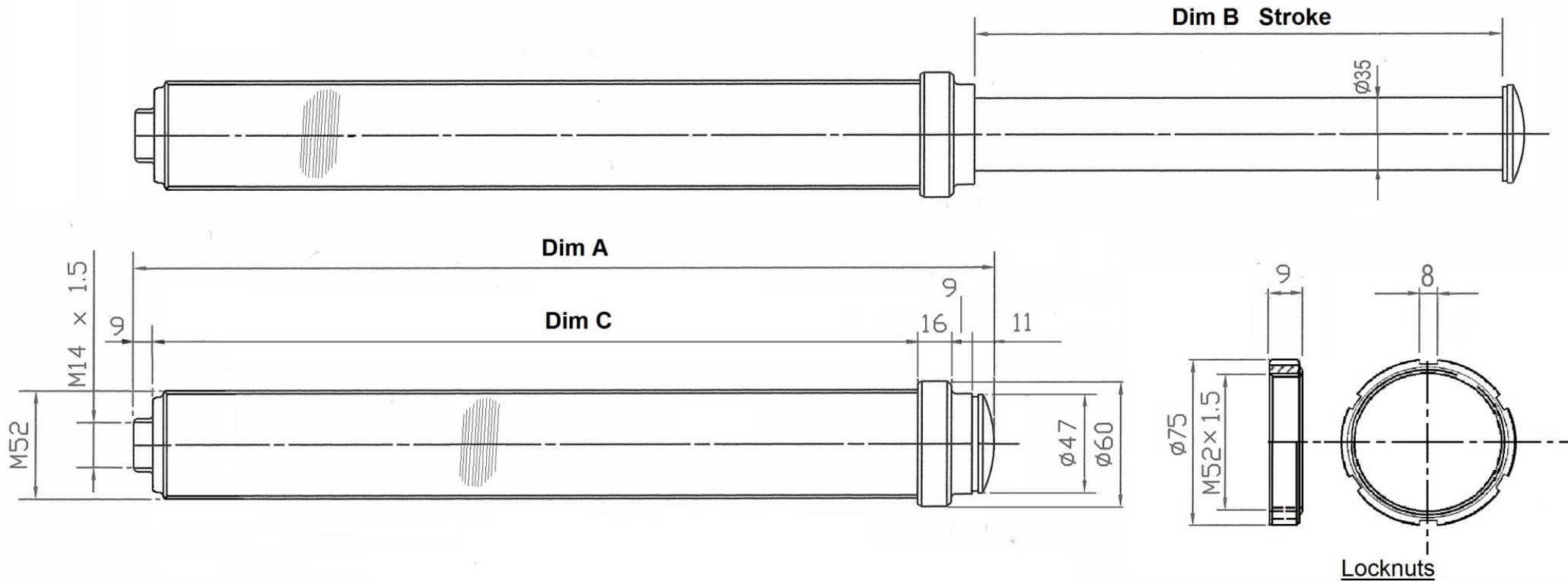


DRG. No. **AJ-01,02 & 08**



Each Air Jack is supplied with 3 x Locknuts

Air Jack	Dimensions (Nominal)			Nominal Bare Weight (grams)	Locknut wt each - grams	Recommended Max WP - Bar	Maximum Lift - Kgs
	A	B stroke	C				
AJ-01	405mm	270mm	360mm	1338	45	35	500
AJ-02	305mm	180mm	260mm	1035	45	35	500
AJ-08	360mm	230mm	315mm		45	35	500

ISSUE	AMENDMENT	DRAWN	CHECKED	DATE
2	AJ-08 added	IWTG		31/01/16
1	ISSUE			20/9/99

Notes: All Dims, Weights & Pressures on this Drawing are Nominal Units

REMOVE ALL BURRS AND SHARP EDGES

SCALE	TITLE	PART No.	MATERIAL	SPECIFICATION	TREATMENT	GENERAL TOLERANCES		ALL DIMENSIONS IN MILLIMETRES AFTER PLATING EXCEPT AS STATED.		
N.T.S	AIR JACK	AJ-01, 02 & 08			IRIDESCENT PASSIVATE	± 0.1	< ± 0.5°	THREAD TOLERANCES		
CHECKED	HIGH PRESSURE					0.1	// 0.1	B.S.P.F.	B.S. 2779	MED FIT
APPROVED	AJ-01,02 & 08					0.1	0.1	UNIFIED	B.S. 1580	CLASS 2A
DATE	Ø52mm					0.1	0.1	METRIC	B.S. 3643	MALE CLASS 6g
20/9/99						± 0.1	3.2			FEMALE CLASS 6H
DRAWN								DRG. No. <b>AJ-01,02 &amp; 08</b>		



James Lister & Sons Ltd.,

